

19" Projected capacitive Multi-Touch Monitor (Embedded)

Products application :

- POS Terminal
- Industrial PC
- Kiosk
- Gaming
- Medical apparatus
- Personal computer
- Mobile GPS
- Office automation
- Security system of the house
- Car-mounted amusement
- Military equipment
- Communicate



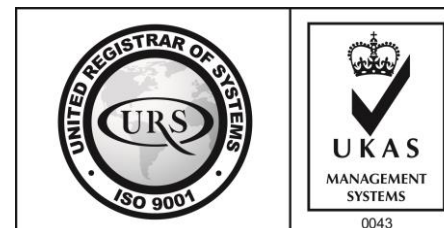
AIM-TMOPPCTU190-R01

Order information :

Touch interface :

Mount type :

AIM-TMOPPCTU190-R01	USB (Multi-Touch*10)	Embedded (Open Frame)
AIM-TMOPPCTU190-R02	RS232 (Single-Touch)	
AIM-TMOPPCTU190-R03	USB (Multi-Touch*10)	Embedded (Open Frame)
AIM-TMOPPCTU190-R04	RS232 (Single-Touch)	



19" Projected capacitive Multi-Touch Monitor (Embedded)

Display Specifications :

Active Area	376 × 301 mm
Pixel Pitch	0.294 × 0.294 mm
Brightness	250 cd/m ²
Contrast Ratio	1000 : 1
Resolution	1280 x 1024 (SXGA)
Viewing Angle	L/R178° ; U/D170°
Response Time	5ms (Tr + Tf)
Display Colors	16.7M
Display Modes	640×480 ; 800×600 ; 1024×768 ; 1280×1024
Signal input	VGA ; Audio ; DVI
Speaker	1W (8Ω) × 2
OSD Keyboard	⊙Power ⊙Auto adjust ⊕ ⊖ ⊙Menu
Power Source	DC 12V (DC Jack Φ2.1mm)
Power Consumption	≤16w
Storage 、 Operation	-20~60°C ; 0~50°C
VESA	75×75 ; 100×100 mm
Casing Colors	Black (OEM other colors)
Casing Size 、 Weight	398.5 × 326.5 × 50 mm ; 4.8 kg (W×H×D)
Carton 、 gross weight	550 × 395 × 170 mm ; 6.3 kg (W×H×D)
Accessory	VGA cable / Audio cable / AC100~240V Adapter / Power cable / USB or RS232 cable / Cleaning wipes / Driver Disk ※DVI cable (Optional)

※AiM Touch has the right to update specs without further notice



AIM-TMOPPCTU190-R01

【 OSD Key at the bottom of the Monitor 】



19" Projected capacitive Multi-Touch Monitor (Embedded)

Touch Feature :

Input Method	Capacitive stylus, Finger
Linearity	$\leq 2.5\text{mm}$
Surface	$\geq 7\text{H}$
Life Time	Unlimited
Application	Writing and Signature Capture Capability

Software Feature :

Draw Test	Position and linearity verification
Controller	Support multiple controllers
Languages	English · Simple Chinese · Traditional Chinese · Japanese · French · German · Spanish · Korean · Arabic · Czech · Danish · Dutch · Greek · Hungarian · Italian · Norwegian · Russian · Polish · Portuguese · Slovenian · Swedish · Thai · Turkish
Mouse Emulator	Right / left button emulation. Auto Right / left Click (PDA function)
Touch Style	Drawing a Mode · button a Mode · Touch Off/ on Switch
Double Click	Configurable double click speed · Configurable double click area
Sound Modes	No sound · Touch down · Touch up
Display Support	display rotation · Support multiple monitors
Division Pattern	Support two halves and four parts with touch function, you can also create your own division patterns.
Edge compensation	Support edge compensation and you can also add your own numbers for it.
Support O.S	All Windows-32/64bit O.S Android ; Linux ; MAC

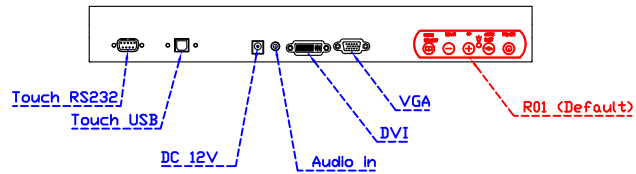
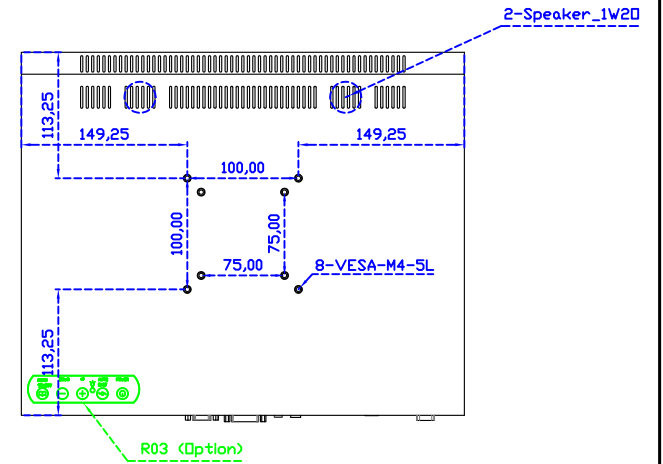
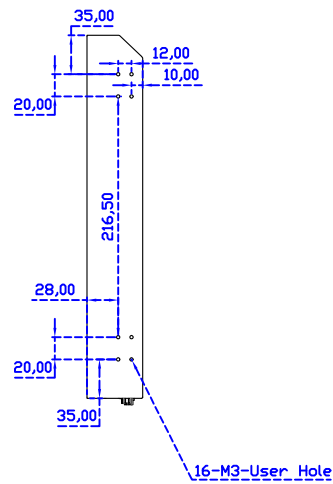
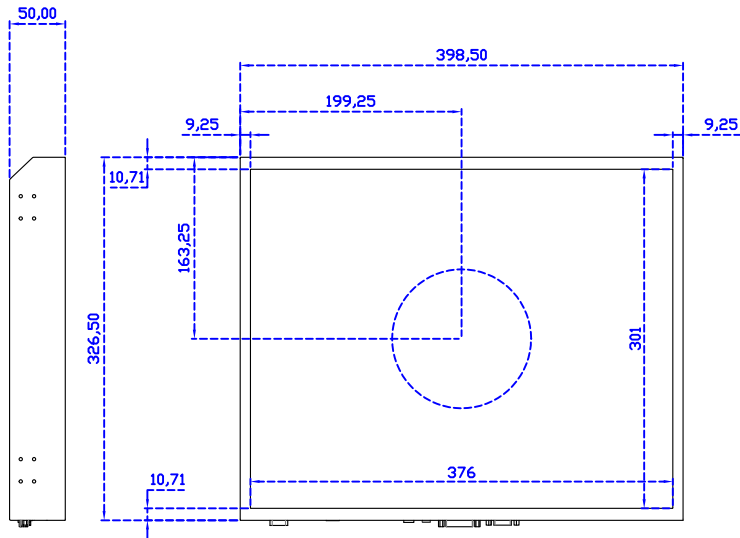
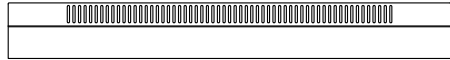


AIM-TMOPPCTU190-R03

【 OSD Key on the back of the Monitor 】

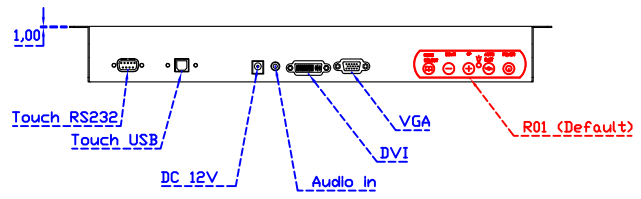
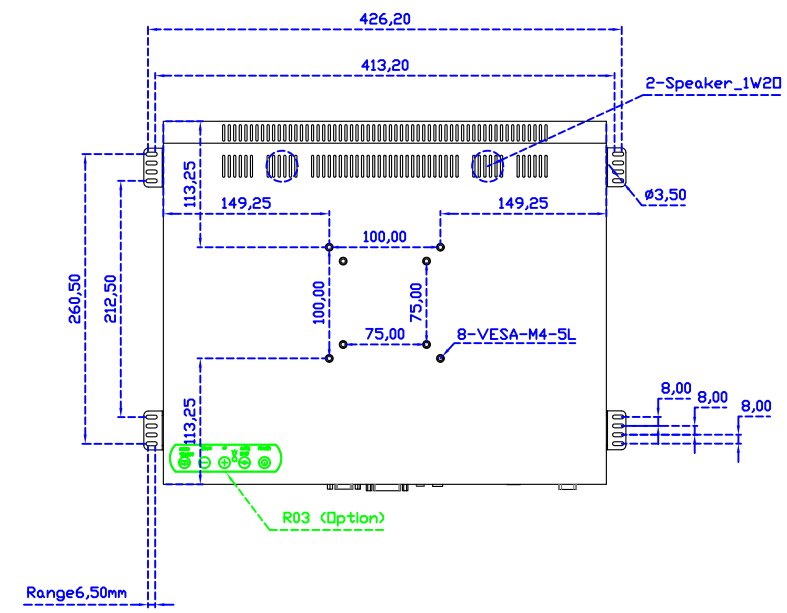
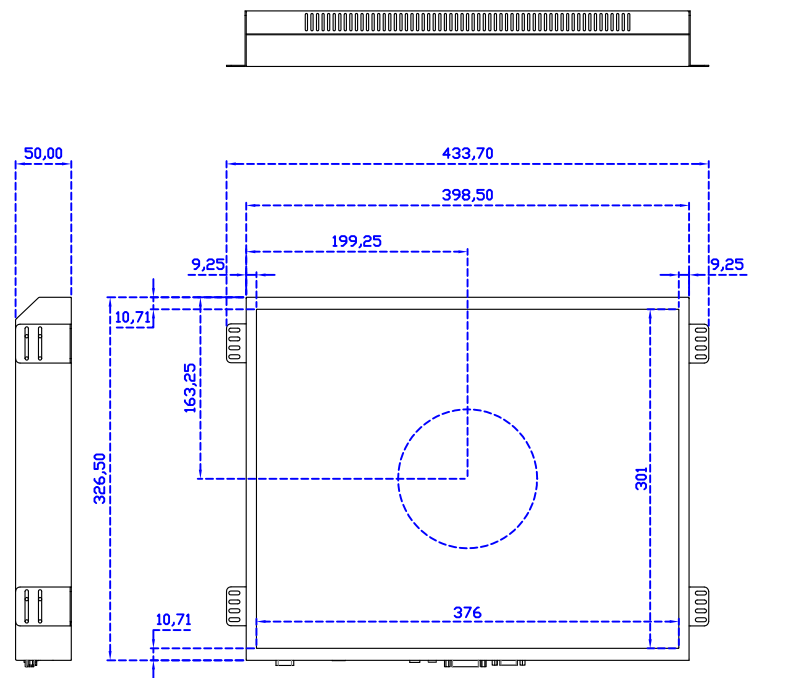


3 Year Warranty
LCD Panel 1 Year



19" Embedded Touch Monitor.
(Open Frame)
(Narrow type)

AIM-TMOPxxxx190-R01_R03



19" Embedded Touch Monitor.
 (Open Frame)
 (VESA Mount)

AIM-TMOPxxxx190-R01_R03